



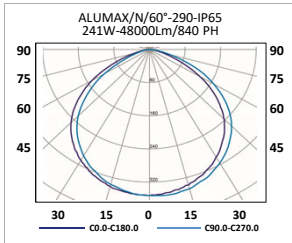
Lux-May

SUSPENDED - SURFACE • LED

INDUSTRIAL IP65 - 60°



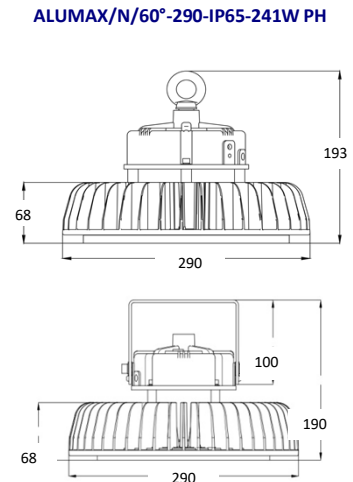
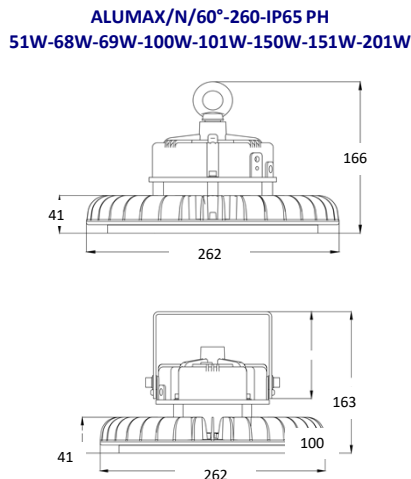
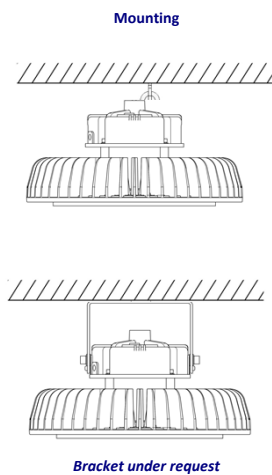
SUSPENDED-SURFACE
ALUMAX/N/60° IP65



ALUMAX/N/60°-241W PH

- VERY HIGH EFFICIENCY
UNTIL 200 lm/W
- WORKING TEMPERATURE
-35°C UNTIL +40°C
- FLICKER FREE
- IP65
- 1-10V

Mounting	Suspended/Surface/Recessed.	<p>PHILIPS Driver</p>
Light Source	Modules LED SMD PHILIPS. Temperature color standard 4000K. Optional 6000K.	
Optical System	Optic 60°.	<p>PHILIPS</p>
Light Distribution	Direct.	
Wiring	Dimmable electronic control gear (1-10V) EEI=A++. PF>0,95. Philips. Powered to 220-240V. Possibility of incorporating emergency kit (1-3h).	<p>Light and presence sensor + remote control, under request.</p>
Materials	Body: Die cast aluminum of very high thermal dissipation. Screws: Stainless steel. Diffuser: Transparent polycarbonate with microprismatic optics.	
Surface Finish	Black color.	
Benefits	LED luminaire with integrated electronic control gear. Colour rendering index Ra>80. Optimal lighting curve, homogeneous illumination throughout the projection area. Low consumption and high efficiency. Average service life >50.000 hours. No maintenance required. Careful with the environment, it does not contain mercury.	





ALUMAX/N/60°-100W PH

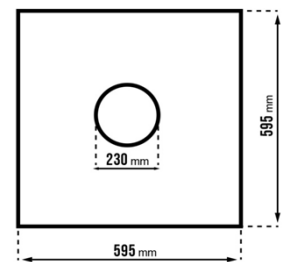
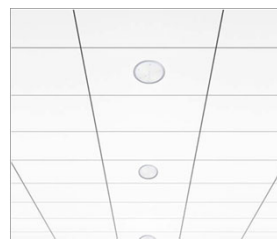
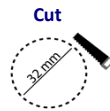
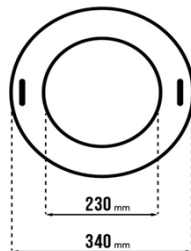


ALUMAX/N/60° + BRACKET



CIRCULAR FRAME RECESSED MOUNTING

SQUARE FRAME RECESSED MOUNTING



REFERENCE

Kg

Light
Output
lm

Power
W

Efficiency
LED Module + Driver
lm/W

Temperate
color
CCT (K)

Beam
angle

Regulación
1-10V

- HIGH EFFICIENCY - UNTIL 157 lm/W -

ALM3P10KN1	LED	ALUMAX/N/60°-260-IP65-68W(1-10V)10500Lm/840 PH	(2,8)	10500	68	154	4000	60°	incl.
ALM3P15KN1	LED	ALUMAX/N/60°-260-IP65-100W(1-10V)15500Lm/840 PH	(2,8)	15500	100	155	4000	60°	incl.
ALM3P23KN1	LED	ALUMAX/N/60°-260-IP65-150W(1-10V)23500Lm/840 PH	(2,8)	23500	150	157	4000	60°	incl.
ALM4P37KN1	LED	ALUMAX/N/60°-290-IP65-240W(1-10V)37000Lm/840 PH	(4,1)	37000	240	154	4000	60°	incl.

VERY HIGH EFFICIENCY - UNTIL 200 lm/W -

ALM3P11KN1	LED	ALUMAX/N/60°-260-IP65-51W(1-10V)10000Lm/840 PH	(2,8)	10000	51	196	4000	60°	incl.
ALM3P13KN1	LED	ALUMAX/N/60°-260-IP65-69W(1-10V)13600Lm/840 PH	(2,8)	13600	69	197	4000	60°	incl.
ALM3P20KN1	LED	ALUMAX/N/60°-260-IP65-101W(1-10V)20000Lm/840 PH	(2,8)	20000	101	198	4000	60°	incl.
ALM3P30KN1	LED	ALUMAX/N/60°-260-IP65-151W(1-10V)30000Lm/840 PH	(2,8)	30000	151	199	4000	60°	incl.
ALM3P40KN1	LED	ALUMAX/N/60°-260-IP65-201W(1-10V)40000Lm/840 PH	(3,6)	40000	201	199	4000	60°	incl.
ALM3P48KN1	LED	ALUMAX/N/60°-260-IP65-241W(1-10V)48000Lm/840 PH	(4,1)	48000	241	199	4000	60°	incl.

PLT000L001	ACC.	IP67 CONNECTOR	-	-	-	-	-	-	-
ALNPHLIRA	ACC.	ALUMAX BRACKET	-	-	-	-	-	-	-
AROALUMAX	ACC.	CIRCULAR FRAME	-	-	-	-	-	-	-
MARCOALUMAX	ACC.	SQUARE FRAME	-	-	-	-	-	-	-
SENSORPALU	ACC.	LIGHT AND PRESENCE SENSOR	-	-	-	-	-	-	-
MANDOLPALU	ACC.	REMOTE CONTROL FOR LIGHT AND PRESENCE SENSOR	-	-	-	-	-	-	-

Available 6000K (add a V to the end of the code).

Possibility of incorporating emergency kit (1-3h)