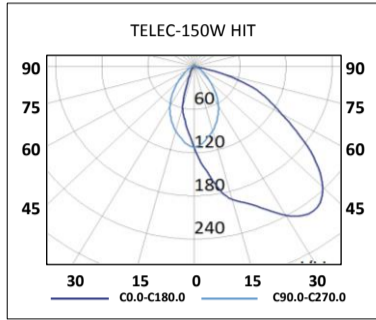




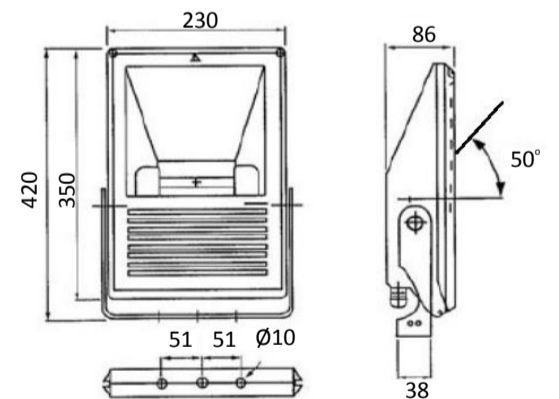
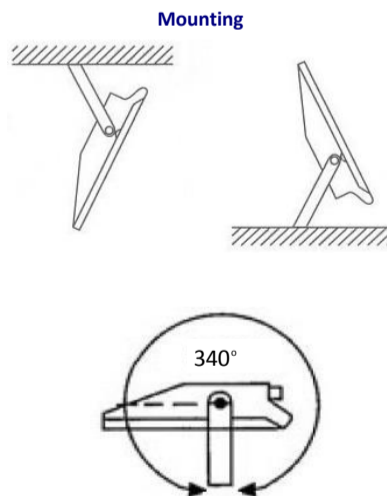
FLOODLIGHTS IP65 • 70W • 150W

PROJECTOR DISCHARGE IP65 TELEC



TELEC

Mounting	Surface.
Lamps	Metal halides
Optical system	Asymmetric reflector.
Light distribution	Direct.
Wiring	Magnetic ballast + starter + power factor correction capacitor. PF>0,95
Material	Body: Die-cast aluminum. Reflector: Bright aluminum sheet. Cover: Tempered transparent glass.
Surface finish	Body: Black colour, metallic grey or white. Reflector: Bright pearl. Cover: Transparent tempered glass.



CODE	REFERENCE	Kg.	Power W	Lamp	Lampholder	Tension	Frequency	Reflector	Diffuser
06420702GL	TELEC-70W HIT-DE 230V. GREY+LAMP.	(4,4)	70W.	HIT-DE	RX7s	230V.	50Hz.	Asymmetric	Transparent
06420702L	TELEC-70W HIT-DE 230V. BLACK+LAMP.	(4,4)	70W.	HIT-DE	RX7s	230V.	50Hz.	Asymmetric	Transparent
06420702ML	TELEC-70W HIT-DE 230V. IVORY+LAMP.	(4,4)	70W.	HIT-DE	RX7s	230V.	50Hz.	Asymmetric	Transparent
06421502GL	TELEC-150W HIT-DE 230V. GREY+LAMP.	(5,3)	150W.	HIT-DE	RX7s	230V.	50Hz.	Asymmetric	Transparent
06421502L	TELEC-150W HIT-DE 230V. BLACK+LAMP.	(5,3)	150W.	HIT-DE	RX7s	230V.	50Hz.	Asymmetric	Transparent
06421502ML	TELEC-150W HIT-DE 230V. IVORY+LAMP.	(5,3)	150W.	HIT-DE	RX7s	230V.	50Hz.	Asymmetric	Transparent