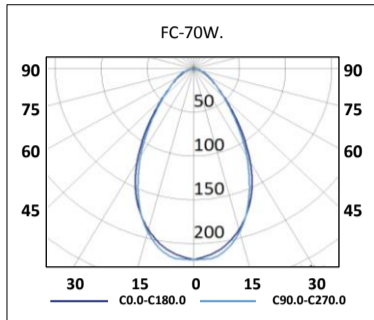




FLOODLIGHTS • 70W • 150W


PROJECTOR DISCHARGE IP20 FC

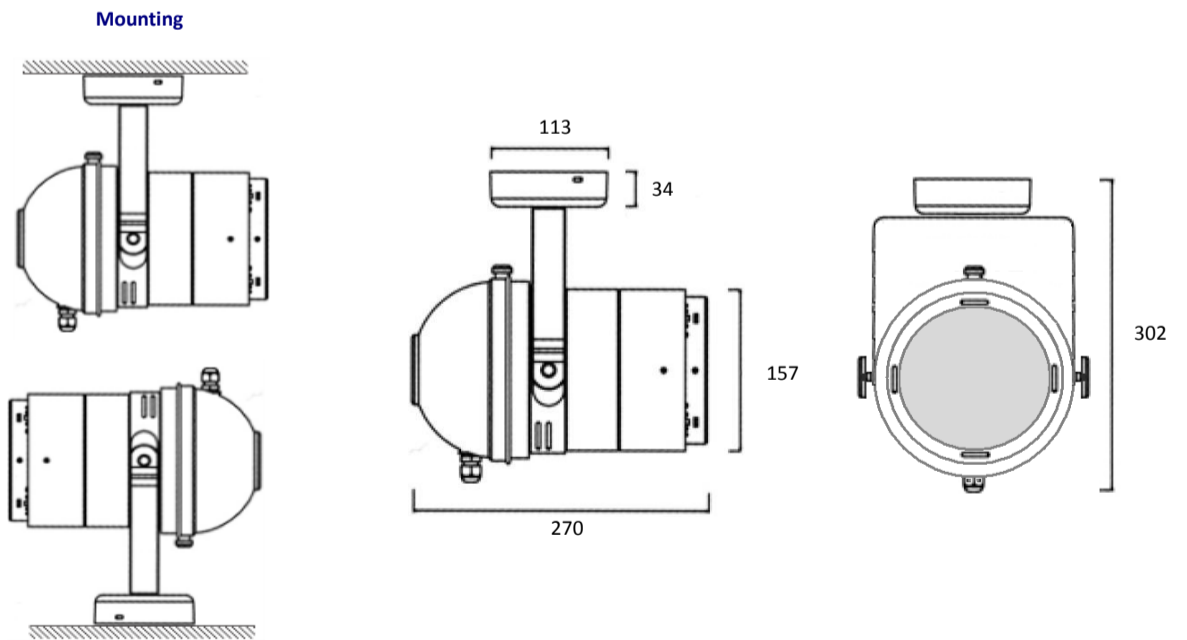


FC



FC/BDR

Mounting	Surface.
Lamps	Metal halide 
Optical system	Reflector, under request barn door.
Light distribution	Direct.
Wiring	Magnetic reactance + starter + power factor correction capacitor. PF>0,95
Material	Body: Aluminum. Reflector: Aluminum. Cover: Opal glass.
Surface finish	Body: Grey colour. Reflector: Bright. Cover: Opal.
Accessories	Barn door (BDR).



CODE	REFERENCE	Kg.	Power W	Lamp	Lampholder	Tension	Frequency	Reflector	Diffuser
06460000	FC-70W S/INSTALL	(3,3)	70	-	RX7s	230V.	50Hz.	Intensive	Opal
064600001	FC-150W S/INSTALL	(4,6)	150	-	RX7s	230V.	50Hz.	Intensive	Opal
06460070L	FC-70W 230V. HIT-DE+LAMP.	(3,3)	70	HIT	RX7s	230V.	50Hz.	Intensive	Opal
064600150L	FC-150W 230V. HIT-DE+LAMP.	(4,6)	150	HIT	RX7s	230V.	50Hz.	Intensive	Opal
064609001	BARN DOOR FC	-	-	-	-	-	-	-	-