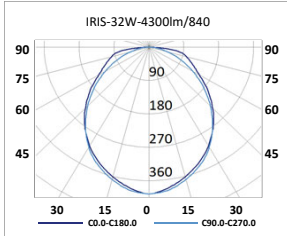




# RECESSED INDIRECT • LED

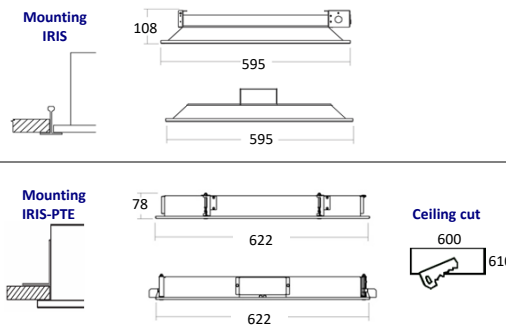


## DECORATIVE RECESSED LED IRIS



IRIS

<b>Mounting</b>	Recessed. Armstrong ceilings, plaster, plasterboard.
<b>Light source</b>	LED linear modules SMD
<b>Optical system</b>	Diffuser.
<b>Light distribution</b>	Indirect.
<b>Wiring</b>	Electronic control gear (EEI=A+). PF>0,95 Possibility of incorporating dimmable electronic control gear (DALI) and/or emergency Kit (3 hours).
<b>Material</b>	Body: White enameled steel. High torsional strength and guaranteed minimum thickness of 0.6mm, according to ENEC-10 and VDE standards. Diffuser: Linear microprism. Heat dissipating plate: Aluminum profile.
<b>Surface finish</b>	Body: White colour RAL 9003.
<b>Benefits</b>	LED luminaire with integrated electronic control gear. Technological guarantee. Optimal lighting curve, homogeneous lighting throughout the projection area. Low consumption and high efficiency. Average service life >50.000 hours. Does not require maintenance. Careful with the environment, it does not contain mercury.



Simulation of light output.



CODE	REFERENCE	Kg.	Light output lm	Power W	Efficiency LED module + Driver lm/W	Colour temperature CCT (K)	Colour rendering index CRI (Ra)	DIMM DALI	Emergency MC-3
IRN224K3B	IRIS-32W-4300lm/840	(3,8)	4300	32	134	4000	>80	✓	✓
IRP224K3B	IRIS-PTE-32W-4300lm/840	(3,8)	4300	32	134	4000	>80	✓	✓

Under request, colour temperature 3000K.