

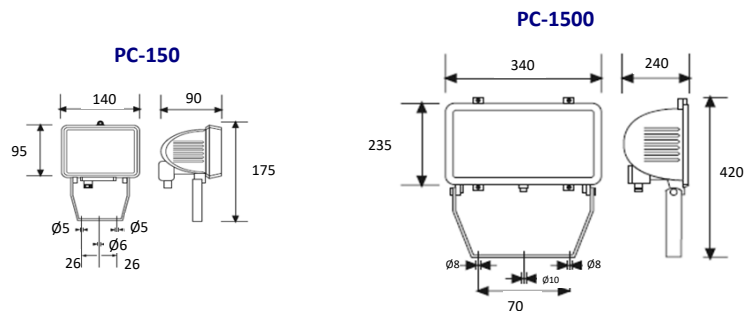
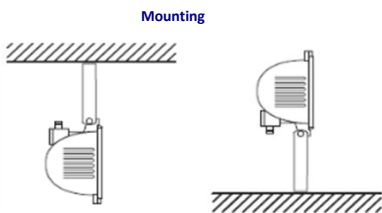


HALOGEN FLOODLIGHTS

HALOGEN PROJECTOR
PC



Mounting	Surface.
Lamps	Halogen double terminal lamp. QT-DE R7s
Optical system	Reflector.
Light distribution	Direct.
Wiring	Direct to network.
Material	Body: Die-cast aluminum. Reflector: Aluminum.. Cover: Transparent tempered glass.
Surface finish	Body: Black colour Reflector: Bright pearl. Cover: Transparent tempered glass.



CODE	REFERENCE	Kg.	Power	Lamp	Lampholder	Tension	Frequency	Reflector	Diffuser
066260150N	PC-150W BLACK+LAMP.	(0,5)	150	QT-DE	R7s	230V.	50Hz.	Symmetric	Transparent
06623	PC-1500W	(2,6)	1500	QT-DE	R7s	230V.	50Hz.	Symmetric	Transparent

more information in www.lux-may.com

LUX-MAY reserves the right to change product characteristics without notice.