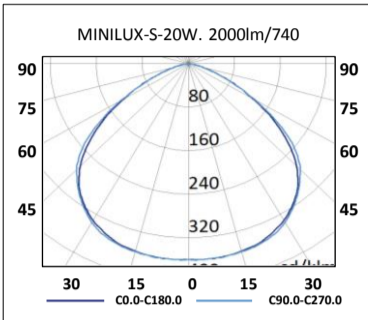




FLOODLIGHTS IP65 • LED



PROJECTOR IP65 LED MINILUX 10W, 20W



MINILUX

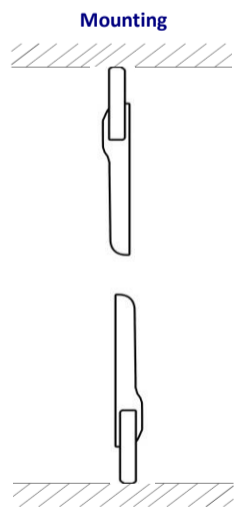


10W
XS

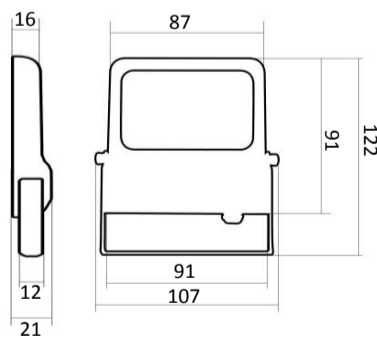


20W
S

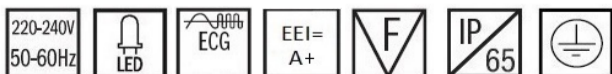
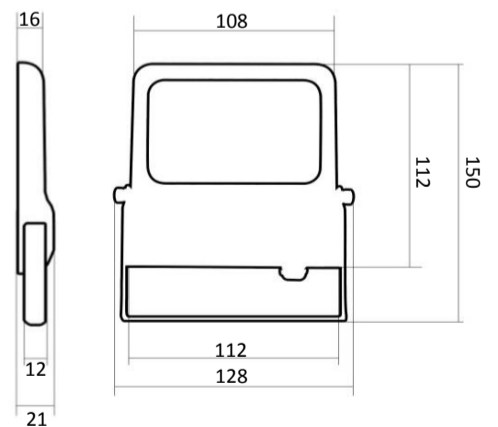
Mounting	Surface.	
Light source	LED compact modules COB	
Optical system	Reflector.	
Light distribution	Direct.	
Wiring	Electronic control gear (EEI=A+). PF>0,95	
Material	Body: Die-cast aluminum casting. Large cooling fins. Reflector: Bright aluminum. Cover: Antiglare microprism glass.	
Surface finish	Body: Grey colour. Reflector: Bright aluminum. Cover: Microprism tempered glass.	
Benefits	LED luminaire with integrated electronic control gear. Colour rendering index Ra>70. Average service life > 30.000 hours. No maintenance required. No infrared or UV radiation. Easy installation.	



MINILUX-XS-10W.
1000lm/740



MINILUX-S-20W.
2000lm/740



CODE	REFERENCE	Kg.	Light output lm	Power W	Efficiency LED module + Driver lm/W	Colour rendering index CRI (Ra)	Colour temperature CCT (K)	Cooling	Replace to lamp
PML010L100	MINILUX-XS-10W 1000lm/740	(0,5)	1000	10	100	>70	4000	Passive	Halogen 150W.
PML020L200	MINILUX-S-20W 2000lm/740	(0,8)	2000	20	100	>70	4000	Passive	Halogen 300W.

more information in www.lux-may.com

LUX-MAY reserves the right to change product characteristics without notice.