



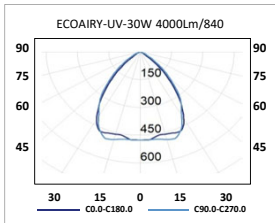
# RECESSED ANTIVIRUSES • LED + UV-C

## EFFECTIVE AS A GERMICIDE, ABLE TO ELIMINATE VIRUSES AND BACTERIA

SAFE PURIFICATION AND DISINFECTION OF THE AIR IN THE PRESENCE OF PEOPLE AND/OR ANIMALS

RECESSED ANTIVIRUSES  
ECOAIRY/UV

UGR<16



ECOAIRY/UV

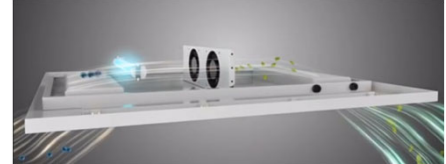
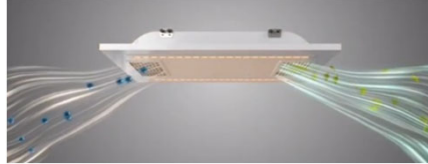
<b>Mounting</b>	Recessed.	
<b>Light source</b>	Main: LED linear modules SMD  3000K. Secondary: UV-C TC-L 11W  Lamp included).	
<b>Optical system</b>	Diffuser + reflector (Double parabolic). Beam angle 85°.	<b>REMOTE CONTROL OPTIONAL</b>
<b>Light distribution</b>	Direct. <div style="border: 1px solid black; padding: 5px; display: inline-block;">1 luminaire ECOAIRY/UV sterilizes and purifies an area of <b>20m<sup>2</sup></b> in a period of approx. Of <b>2h.</b></div> 	 <b>TRIDONIC</b> Driver
<b>Wiring</b>	Electronic control gear (EEI=A+). PF>0,96. Possibility of incorporating dimmable electronic control gear (DALI) and/or emergency Kit (1 or 3 hours). No flicker.	 <b>DALI</b> Light sensor and presence detector, under request.
<b>Material</b>	Body: sheet steel. Reflector: Polished polycarbonate.	
<b>Surface finish</b>	Body: White colour. RAL 9003.	 <b>Accessory for recess, under request.</b>
<b>Accessories</b>	Under request, accessory for surface, recessed in plaster or pasterboard ceilings.	
<b>Light benefits</b>	Optimal lighting curve, homogeneous illumination throughout the projection area. Low consumption and high efficiency. Average life service >50.000 hours. The UV tubes are 11000 hours life time. After 9.000h using, the efficiency will be arround 80%.	
<b>Light benefits</b>	Air purification by 99.92% (20m <sup>2</sup> area - 1 luminaire - 2 hours). It can be used anywhere that requires air purification. Purification and disinfection without generating ozone. The UVC system can be used at the same time that the area is occupied by people, animals or plants. The filter cotton can effectively filter the dust in the air, protect the UV lamp from damage. The filter cotton is easy to replace.	 <b>Accessory for surface, under request.</b>



# RECESSED ANTIVIRUSES • LED+ UV-C

**EFFECTIVE AS A GERMICIDE, ABLE TO ELIMINATE VIRUSES AND BACTERIA**

**SAFE PURIFICATION AND DISINFECTION OF THE AIR IN THE PRESENCE OF PEOPLE AND/OR ANIMALS**



Air purification and disinfection system can be used at the same time that the lighting function.

Through a silent system of fans, polluted air is purified and disinfected inside the luminaire. Purified air it's free of ozone.

The germicidal action of the UVC lamp is carried out inside of the luminaire. the luminaire can be used at the same time that the area is occupied by people, animals or plants.

## APPLICATION



OFFICES



SCHOOLS



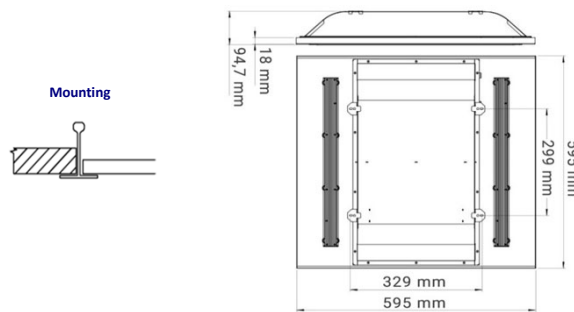
SHOPS



HOSPITALS



ECOAIRY/UV (595x595)



CODE	REFERENCE	Kg.	Light	Power	Efficiency	Colour	DIMM		Emergency		No flicker
			output	W	lm/W	temperature	1-10V	DALI	MC-1	MC-3	
AIV224KLB	ECOAIRY/UV-30W 4000lm/840	(6,6)	4000	30	133	4000	✓		✓	✓	YES
LEKAL001	ACC. RECESSED ECOAIRY/UV 600x600	-	-	-	-	-	-	-	-	-	-
✓	ACC. SURFACE ECOAIRY/UV 600x600	-	-	-	-	-	-	-	-	-	-
	✓ Under request										

more information in [www.lux-may.com](http://www.lux-may.com)

LUX-MAY reserves the right to change product characteristics without notice.