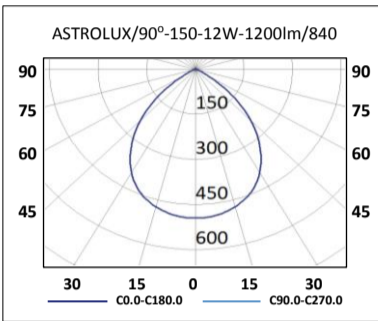
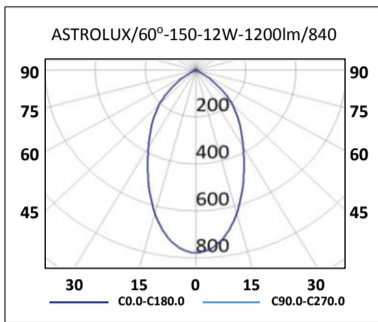


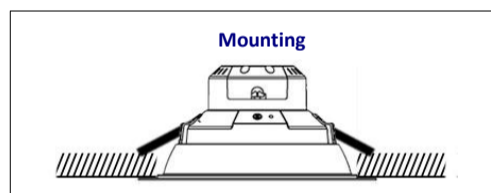


RECESSED DOWNLIGHT
ASTROLUX/60°-100-150-200
ASTROLUX/90°-100-150-200



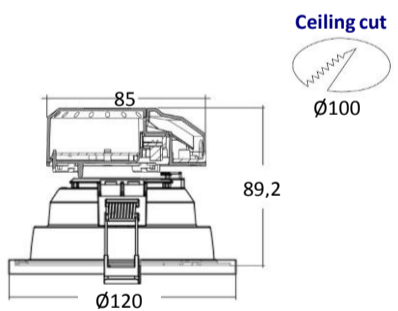
UGR < 19

Mounting	Recessed.
Light source	SMD LED TRIDONIC.
Optical system	Reflector glossy aluminum faceted. Option 60° or 90°. Colour temperature 4000K, standard. (Option 3000K, 6000K).
Light distribution	Direct.
Wiring	Electronic control gear (EEI=A+). PF>0,95 TRIDONIC. Possibility of incorporating dimmable electronic control gear (EEI=A1 1-10V or DALI) and/or emergency Kit (1 or 3 hours).
Material	Body: Aluminum stamping. Reflector: Bright aluminum.
Surface finish	White (RAL 9003).
Benefits	LED luminaire with integrated electronic control gear. Average service life > 50.000 hours. Colour rendering index Ra>80. Passive cooling. No UVA or infrared radiation. No maintenance required. Easy installation. Connection box included.

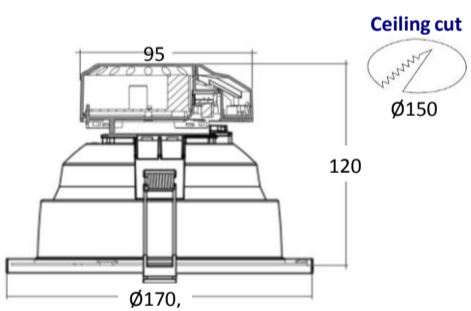


3200 lm 110 lm/W >80 Ra

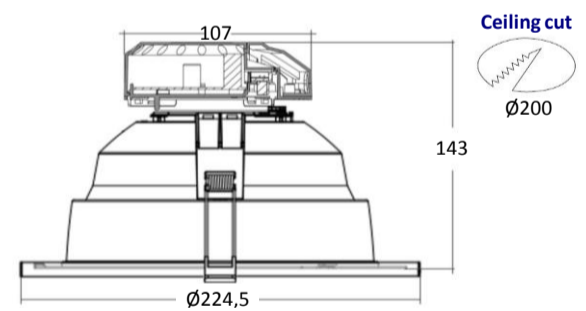
ASTROLUX-100-10W-1100lm/840



ASTROLUX-150-20W-2200lm/840



ASTROLUX-200-20W-2200lm/840
ASTROLUX-200-30W-3200lm/840



CODE	REFERENCE	Kg.	Light output	Power	Efficiency	Beam angle	Emergency		DIMM		Replace to lamp
							MC-1	MC-3	1-10V	DALI	
DR010L100	ASTROLUX/60°-100-10W-1100lm/840	(0,2)	1100	10	110	60°	✓	✓	✓	✓	2x18W.
DR020L110	ASTROLUX/60°-150-10W-1100lm/840	(0,3)	1100	10	110	60°	✓	✓	✓	✓	2x18W.
DR020L150	ASTROLUX/60°-150-20W-2200lm/840	(0,3)	2200	20	110	60°	✓	✓	✓	✓	2x26W.
DR030L170	ASTROLUX/60°-200-20W 2200lm/840	(0,4)	2200	20	110	60°	✓	✓	✓	✓	2x26W.
DR030L200	ASTROLUX/60°-200-30W-3200lm/840	(0,4)	3200	30	107	60°	✓	✓	✓	✓	2x32W.
DR110L100	ASTROLUX/90°-100-10W-1100lm/840	(0,2)	1100	10	110	90°	✓	✓	✓	✓	2x18W.
DR120L110	ASTROLUX/90°-150-10W-1100lm/840	(0,3)	1100	10	110	90°	✓	✓	✓	✓	2x18W.
DR120L150	ASTROLUX/90°-150-20W-2200lm/840	(0,3)	2200	20	110	90°	✓	✓	✓	✓	2x26W.
DR130L170	ASTROLUX/90°-200-20W-2200lm/840	(0,4)	2200	20	110	90°	✓	✓	✓	✓	2x26W.
DR130L200	ASTROLUX/90°-200-30W-3200lm/840	(0,4)	3200	30	107	90°	✓	✓	✓	✓	2x32W.

Under request, 3000K and 6000K.