

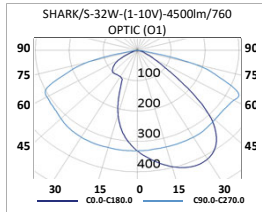


STREET LIGHTING • LED

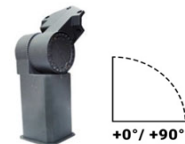


145 lm/W

STREET LIGHTING SHARK

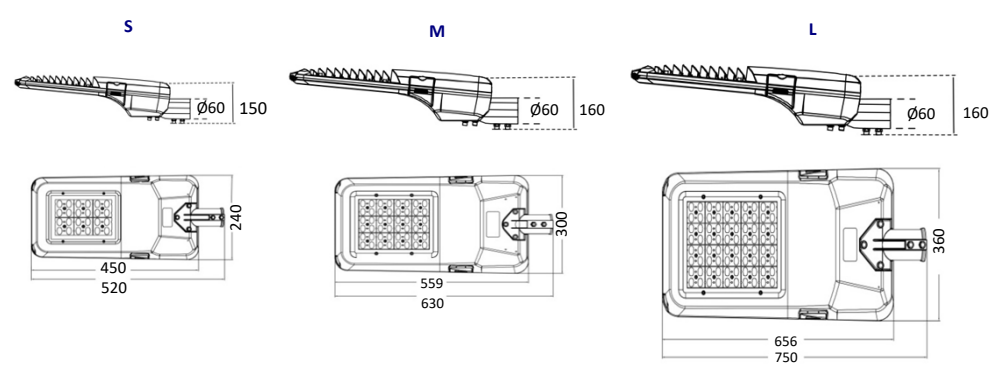
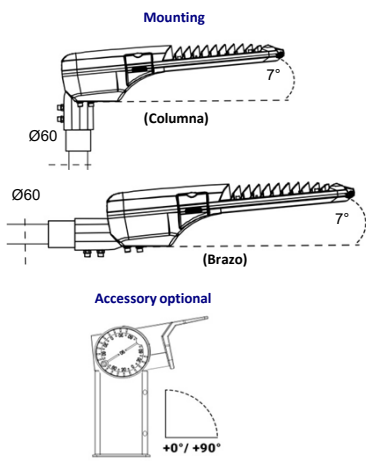


ACCESSORY OPTIONAL



Mounting	Pole top installation, diameter 60mm. Under request, 50mm diameter.	
Light source	LED modules SMD TRIDONIC. Temperature color: 4000K (standard). Available 2200K, 2700K, 3000K.	
Optical system	Lens (OPTIC O1 - Standard). Under request, different light distributions. Temperature colour 4000K (standard). 3000K (under request).	
Light distribution	Direct.	
Wiring	Electronic control by TRIDONIC driver. Estandar (1-10V). EEI=A++. PF>0,95 Electronic control gear 12-24V DC (versions for solar panel). Under request, double level (100%/50%). Under request, dimmable electronic control gear DALI, Cronstep...	
Material	Body: Grey color with rectified surface to ensure good heat conduction between the LED module and body. Die cast aluminium LM6+AZKO NOVEL resistant to marine environments with very high heat dissipation, with stainless steel screws AISI 318. Diffuser: Tempered glass.	
Surface finish	Body: Grey colour. Diffuser: Transparent tempered glass.	
Benefits	Wide range of operating temperature: -30°C to +40°C. Average service life, up to 100.000 hours. Minimal maintenance. Large cooling fins. High quality optics with 97% transmissibility. Lockout system to facilitate access. 6KV standard overvoltage protection. Under request, expandable up 10KV. Automatic disconnection.	
Range of application	Streets, sidewalks, parks, industrial areas...	

20430 lm 145 lm/W 70 Ra



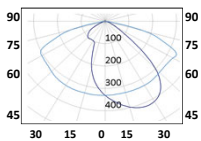


STREET LIGHTING • LED

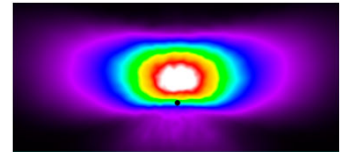


STREET LIGHTING SHARK

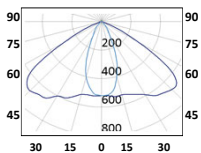
OPTIC - O1 (STANDARD)



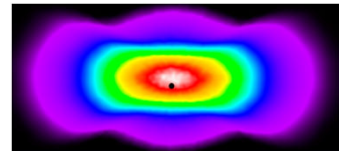
designer for vias with 2 or 3 lanes, with streetlights of 6 meters or more in staggered height and large distances between columns. It can be used in streets where the distance between columns is 6 times the height of these. The asymmetric design of the optics avoids the need to tilt the luminaire for its correct emission of light.



OPTIC - O2



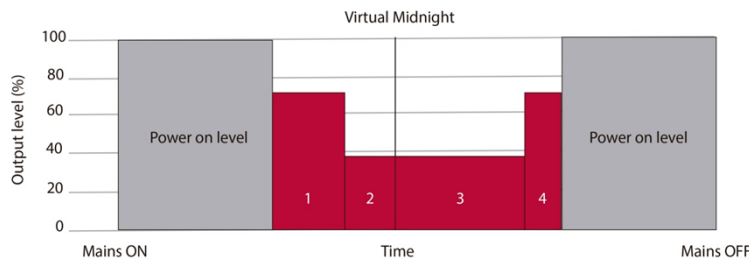
Designed for vias with minimum spacing between columns of 6 times the height of the luminaire. Provides a uniform light with distance height ratio of 01:11 and 5° inclination. With an extra-wide light distribution, it is especially recommended for security lighting because of its large coverage area.



ADVANTAGES AUTOMATIC FUNCTIONS

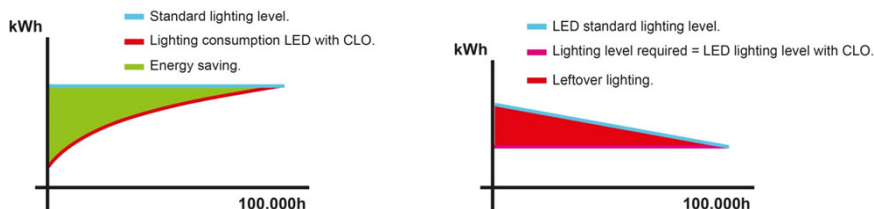
CHRONOSTEP FUNCTION

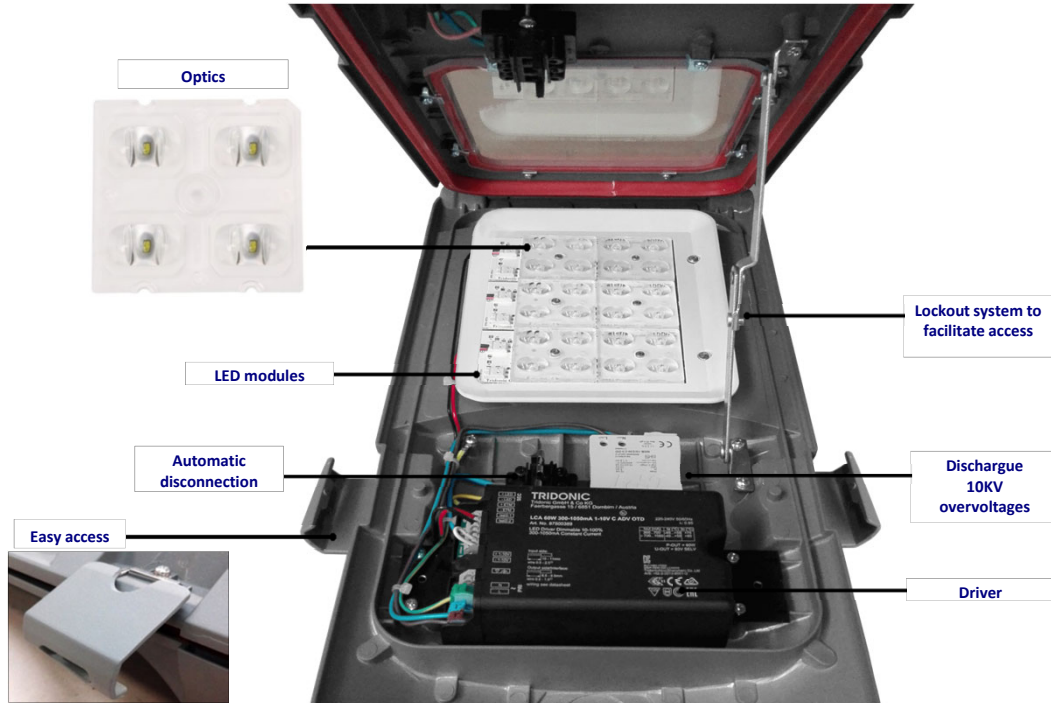
The Chronostep function takes into account reduced traffic on roads at certain times during the night and enables the lighting to be programmed in eight individual dimming levels and times. Individual LED street lights can therefore be programmed with a high degree of flexibility.



CONSTANT LIGHT OUTPUT (CLO)

It's a system to compensate for the depreciation of luminous flux and to avoid excess lighting at the beginning of the installation's service life. In fact, the luminous depreciation that takes place over time must be taken into account to ensure a predefined lighting level during the luminaire's useful life. By precisely controlling luminous flux, one can control the energy necessary so as to reach the required level - no more, and no less - throughout the luminaire's life.





CODE	REFERENCE	Kg.	Light Output 25°C	Power W	Efficiency LED module + Driver lm/W	Colour rendering index CRI (Ra)	Colour temperature standard CCT (K)	Recommended height m	Replace to lamp
SRK114K5G	SHARK/S-32W 4500lm/840	(4,4)	4500	32	140	80	4000	4-8	70W HPS
SRK116K7G	SHARK/S-48W 6750lm/840	(4,4)	6750	48	140	80	4000	5-10	100W HPS
SRK118K5G	SHARK/S-60W 8500lm/840	(4,4)	8500	60	141	80	4000	5-10	>100W HPS
SRK1110KG	SHARK/S-72W 10200lm/840	(4,4)	10200	72	141	80	4000	7-12	150W HPS
SRK2113KG	SHARK/M-96W 13600lm/840	(5,5)	13600	96	141	80	4000	7-12	250W HPS
SRK2116KG	SHARK/M-116W 16800lm/840	(5,5)	16800	116	144	80	4000	8-13	>250W HPS
SRK2120KG	SHARK/M-140W 20430lm/840	(5,5)	20430	140	145	80	4000	8-14	400W HPS
SRK3125KG	SHARK/L-175W 25000lm/840	(5,5)	25000	175	142	80	4000	9-14	>400W HPS
SRK134K5G	SHARK/S-32W-12V-4500lm/840	(4,4)	4500	32	140	80	4000	4-8	70W HPS
SRK144K5G	SHARK/S-32W-24V-4500lm/840	(4,4)	4500	32	140	80	4000	4-8	70W HPS
SRK239K0G	SHARK/M-64W-12V-9000lm/840	(5,5)	9000	64	140	80	4000	7-12	100W HPS
SRK249K0G	SHARK/M-64W-24V-9000lm/840	(5,5)	9000	64	140	80	4000	7-12	100W HPS
VS020L001	ACC. DISCHARGUE 10KV OVERVOLTAGES	-	-	-	-	-	-	-	-
DALISHARK	ACC. DALI SHARK ACCESSORY	-	-	-	-	-	-	-	-
SRKAR1	ACC. ACCESSORY SHARK REG. S-M	-	-	-	-	-	-	-	-
SRKAR2	ACC. ACCESSORY SHARK REG. L	-	-	-	-	-	-	-	-

Available 2200K, 2700K, 3000K.