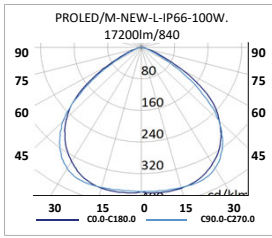




FLOODLIGHTS MARINE ENVIRONMENT • LED



PROJECTOR MARINE ENVIRONMENT LED PROLED/M-NEW-L-IP66

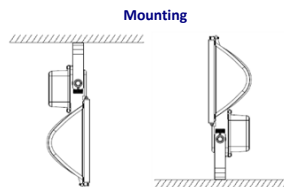


PROLED/M-NEW-L-IP66

Mounting	Surface.
Light source	LED COB compact modules TRIDONIC high performance >120lm/w.
Optical system	Symmetric reflector 100° (standard), under request 22°, 40° or 58°.
Light distribution	Direct.
Wiring	Electronic control gear (EEL=A++). PF>0,95
Material	Body: Die cast aluminium LM6+AZKO NOVEL with very high heat dissipation. Reflector: Bright aluminium. Cover: Microprismatic anti glare glass. Connection: Quick connection without opening the projector.
Surface finish	Body: Grey color with rectified surface to ensure good heat conduction between the LED module and body. Die cast aluminium LM6+AZKO NOVEL resistant to marine environments with very high heat dissipation, with stainless steel screws AISI 318. Zinc galvanized lira in hot. Reflector: Bright aluminum. Cover: Microprismatic.
Benefits	Valid for general use and demanding environments: (tennis courts, paddle courts, facades, boats, ports ...). Colour rendering index Ra>80. Average service life > 50.000 hours. Maintenance-optimised design. Easy installation. No infrared or UV radiation.



Very high heat dissipation

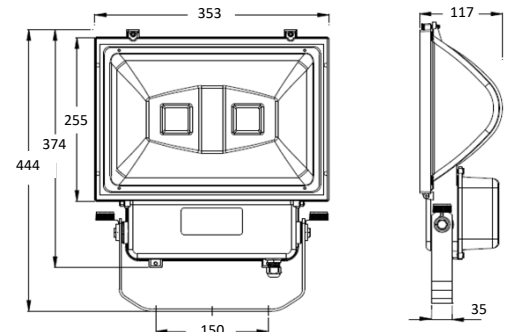


Mounting



Quick connector.

Connection without opening the projector.
Savings of 70% in assembly time.



CODE	REFERENCE	Kg.	Light output lm	Power W	Efficiency LED module + Driver lm/W	Colour temperature CCT (K)	Optic increase	Emergency MC-1	Replace to lmap
PRM3112KG	PROLED/M-NEW-L-IP66-80W. 12900lm/84°	(4,6)	12900	80	161	4000	✓	-	>150W HIT
PRM3115KG	PROLED/M-NEW-L-IP66-100W. 17200lm/84°	(4,6)	17200	100	172	4000	✓	-	250W HIT

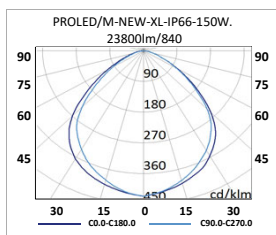
Available 3000K and 6000K (same lighting characteristics).

more information in www.lux-may.com


LUX-MAY reserves the right to change product characteristics without notice.



PROJECTOR MARINE ENVIRONMENT LED PROLED/M-NEW-XL-IP66

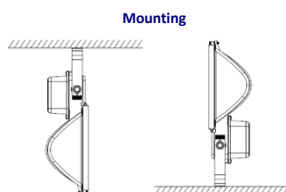


PROLED/M-NEW-XL-IP66

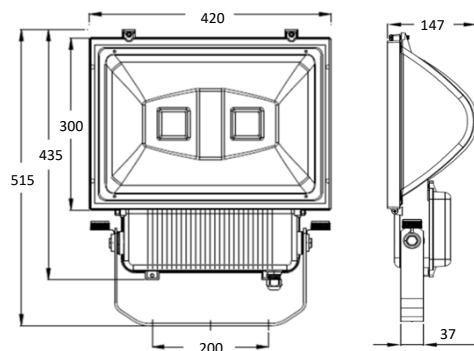
Mounting	Surface.
Light source	LED compact modules COB  TRIDONIC high performance >130lm/w.
Optical system	Symmetric reflector 100° (standard), under request 22°, 40° or 58°.
Light distribution	Direct.
Wiring	Electronic control gear (EEL=A++). PF>0,95
Material	Body: Die cast aluminium LM6+AZKO NOVEL with very high heat dissipation. Reflector: Bright aluminium. Cover: Microprismatic anti glare glass. Connection: Quick connection without opening the projector.
Surface finish	Body: Grey color with rectified surface to ensure good heat conduction between the LED module and body. Die cast aluminium LM6+AZKO NOVEL resistant to marine environments with very high heat dissipation, with stainless steel screws AISI 318. Zinc galvanized lira in hot. Reflector: Bright aluminium. Cover: Microprismatic.
Benefits	Valid for general use and demanding environments: (tennis courts, paddle courts, facades, boats, ports ...). Colour rendering index Ra>80. Average service life > 50.000 hours. Maintenance-optimised design. Easy installation. No infrared or UV radiation.



Very high heat dissipation



Quick connector.
Connection without opening the projector.
Savings of 70% in assembly time.



CODE	REFERENCE	Kg.	Light output lm	Power W	Efficiency LED module + Driver lm/W	Colour temperature CCT (K)	Optic increase	Emergency MC-1	Replace to lmap
PRM4118KG	PROLED/M-NEW-XL-IP66-130W.20400lm/840 EU	(6,9)	20400	130	157	4000	✓	✓	>250W HIT
PRM4120KG	PROLED/M-NEW-XL-IP66-150W. 23800lm/840 EU	(6,9)	23800	150	159	4000	✓	-	400W HIT

Available 3000K and 6000K (same lighting characteristics).