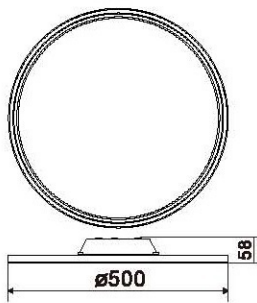


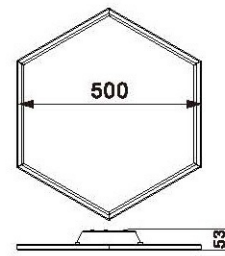
ECO PLANET CIRCULAR

• 35W



ECO PLANET HEXAGONAL

• 35W



Warnings

Installation and maintenance should only be carried out by qualified personnel.

Disconnect power before installation or maintenance.

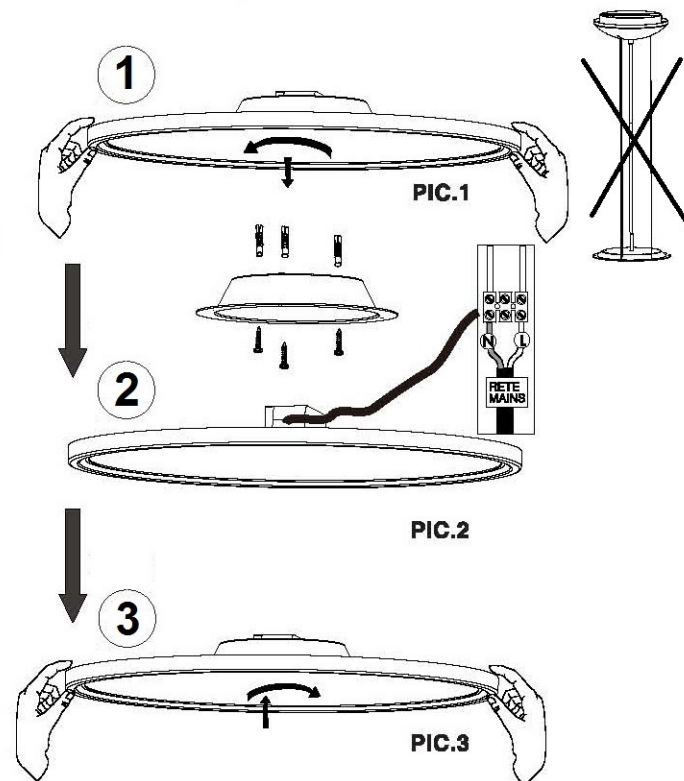
Improper installation may result in a risk of fire or electric shock.

If the luminaire is subsequently modified, the person responsible for the modification shall be deemed to be the manufacturer.

The manufacturer is not liable for damages caused by improper use of the luminaire, incorrect installation and / or omission of the warnings given.

Surfaced installation

1. Remove the top-cover of the luminaire (1)
2. Remove the suspended anchoring elements from the top-cover (1)
3. Attach the top-cover to the ceiling and connect the power cord to the network (2)
4. Fix the luminaire on the top-cover (3)



Suspended installation

1. Remove the holder from the frame (1)
2. Attach the holder to the ceiling (2)
3. Connect the power cord to the electric network. (3)
4. Mount the luminaire on the holder (4)

