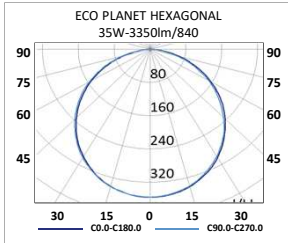




Lux-May

SUSPENDED • LED SURFACE • LED

SUSPENDED-SURFACE
ECO PLANET HEXAGONAL



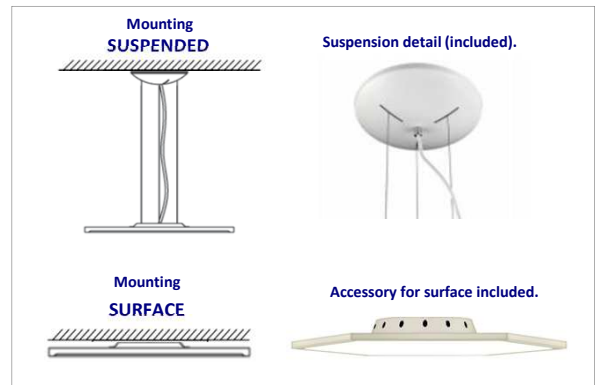
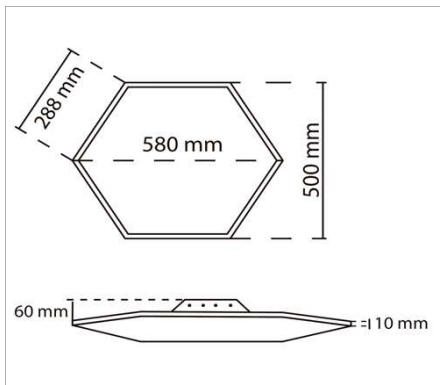
ECO PLANET HEXAGONAL
SURFACE



ECO PLANET HEXAGONAL
SUSPENDED

Mounting	Surface / Suspended. (Included suspended and surface accessories).
Light source	LED colour temperature 4000K.
Optical system	Diffuser.
Light distribution	Direct.
Wiring	Electronic control gear (EEL=A+). PF>0,95 Under request, dimmable electronic control gear (DALI). Under request, emergency Kit (1 hour).
Material	Body: Aluminum extruded lacquered in white. Frame: Extruded aluminum lacquered in white. Diffuser: Professional designed plate (Mitsubishi LGP 4mm) with points made with laser to ensure a high luminosity and comfortable and natural lighting.
Surface finish	Frame and white colour diffuser.
Benefits	LED luminaire with integrated electronic control gear. Technological guarantee. Optimum curve of illumination, homogenous illumination in all the projection area. Low consumption and high efficiency . Average service life to >50.000 hours. No maintenance required. Careful with the environment, does not contain mercury.

3350 lm 96 lm/W >80 Ra



CODE	REFERENCE	Kg.	Light output lm	Power W	Efficiency LED module + Driver lm/W	Colour rendering index CRI (Ra)	Beam angle	DIMM DALI
EPH030L0335	LED ECO PLANET HEXAGONAL 35W-3350lm/840	(3,1)	3350	35	96	>80	110°	✓

Colour temperature 4000K.

more information in www.lux-may.com

LUX-MAY reserves the right to change product characteristics without notice.