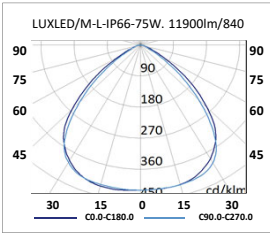




FLOODLIGHTS MARINE ENVIRONMENT • LED



PROJECTOR MARINE ENVIRONMENT LED LUXLED/M-L-IP66



SIZE
L

LUXLED/M-L-IP66

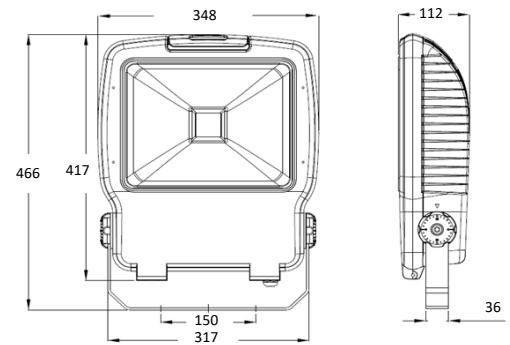
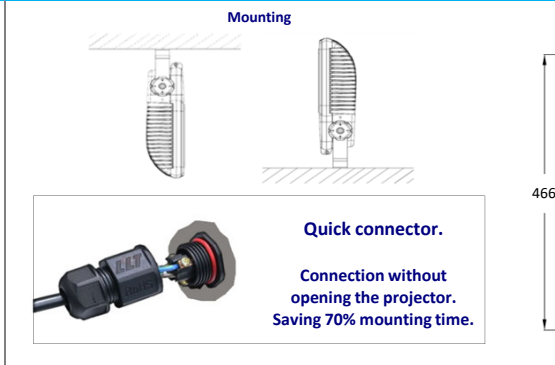
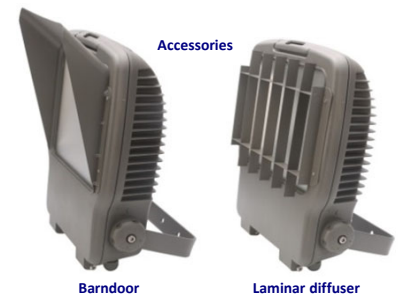
Mounting	Surface, using lyre with goniometric device.
Light source	LED compact modules COB TRIDONIC high performance >130lm/w.
Optical system	Symmetric reflector 100° (standard), under request 22°, 40° or 58°.
Light distribution	Direct.
Wiring	Electronic control gear (EEL=A+). PF>0,95
Material	Body: Die-cast aluminum LM6 + AZKO NOVEL of very high thermal dissipation. Reflector: Bright aluminum. Diffuser: Antiglare microprism glass. Connection: Quick connection without opening the projector.



Surface finish	Body: Grey color with rectified surface to ensure good heat conduction between the LED module and body. Die cast aluminium LM6+AZKO NOVEL resistant to marine environments with very high heat dissipation, with stainless steel screws AISI 318. Zinc galvanized lira in hot. Reflector: Bright aluminum. Cover: Microprismatic.
-----------------------	--



Benefits	Valid for general use and demanding environments: (tennis courts, paddle courts, facades, boats, ports ...). Colour rendering index Ra>80. Average service life > 50.000 hours. Maintenance-optimised design. Easy installation. No infrared or UV radiation.
-----------------	---



CODE	REFERENCE	Kg.	Light output lm	Power W	Efficacy LED module+driver lm/W	Colour temperature CCT (K)	Optical increase	Emergency MC-1	Replace to lamp
LXM319KOG	LUXLED/M-L-IP65-65W 10200Lm/840	(6,2)	10200	65	157	4000	✓	✓	150W HIT
LXM3110KG	LUXLED/M-L-IP65-75W 11900Lm/840	(6,2)	11900	75	159	4000	✓	✓	250W HIT
PL0110L2	ACC. BARNDOOR LUXLED-L	-	-	-	-	-	-	-	-
PL0110L1	ACC. LAMINAR DIFFUSER LUXLED-L	-	-	-	-	-	-	-	-

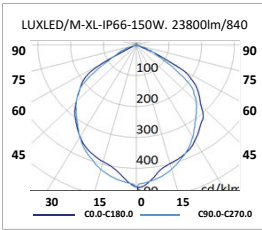
Available 3000K and 6000K (same lighting characteristics).



FLOODLIGHTS MARINE ENVIRONMENT • LED

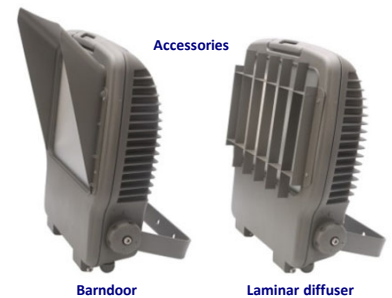


PROJECTOR MARINE ENVIRONMENT LED LUXLED/M-XL-IP66

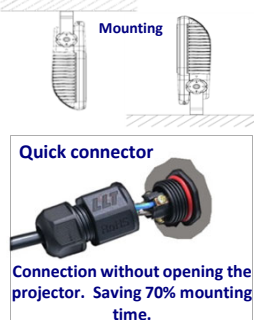


LUXLED/M-XL-IP66

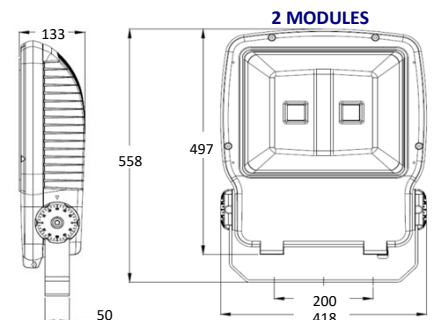
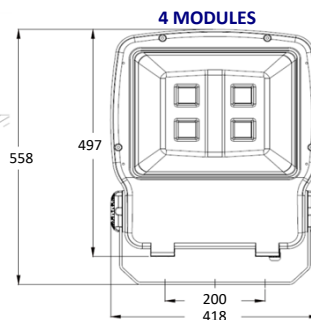
Mounting	Surface, using lyre with goniometric device.
Light source	LED compact modules COB TRIDONIC high performance >130lm/w.
Optical system	Symmetric reflector 100° (standard), under request 22°, 40° or 58°.
Light distribution	Direct.
Wiring	Electronic control gear (EEI=A++). PF>0,95
Material	Body: Die-cast aluminum LM6 + AZKO NOVEL of very high thermal dissipation. Reflector: Bright aluminum. Diffuser: Antiglare microprism glass.
Surface finish	Body: Grey color with rectified surface to ensure good heat conduction between the LED module and body. Die cast aluminium LM6+AZKO NOVEL resistant to marine environments with very high heat dissipation, with stainless steel screws AISI 318. Zinc galvanized lira in hot. Reflector: Bright aluminum. Cover: Microprismatic.
Benefits	Valid for general use and demanding environments: (tennis courts, paddle courts, facades, boats, ports ...). Colour rendering index Ra>80. Average service life > 50.000 hours. Maintenance-optimised design. Easy installation. No infrared or UV radiation.



Very high heat dissipation



Connection without opening the projector. Saving 70% mounting time.



CODE	REFERENCE	Kg.	Light output lm	Power W	Efficacy LED module+driver lm/W	Colour temperature CCT (K)	Optical increase	Emergency MC-1	Replace to lamp
LXM4118KG	LUXLED/M-XL-IP65-130W 20400Lm/840 (2mod.)	(11,3)	20400	130	157	4000	✓	✓	400W HIT
LXM4120KG	LUXLED/M-XL-IP65-150W 23800Lm/840 (2mod.)	(11,3)	23800	150	159	4000	✓	✓	>400W HIT
LXM4130KG	LUXLED/M-XL-IP65-200W 34400Lm/840 (4mod.)	(11,3)	34400	200	172	4000	✓	✓	400W HPS
LXM4136KG	LUXLED/M-XL-IP65-260W 40800Lm/840 (4mod.)	(11,3)	40800	260	157	4000	✓	✓	>400W HPS
PL0240L2	ACC. BARNDOOR LUXLED-XL	-	-	-	-	-	-	-	-
PL0240L1	ACC. LAMINAR DIFFUSER LUXLED-XL	-	-	-	-	-	-	-	-

Available 3000K and 6000K (same lighting characteristics).

more information in www.lux-may.com

LUX-MAY reserves the right to change product characteristics without notice.