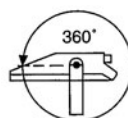
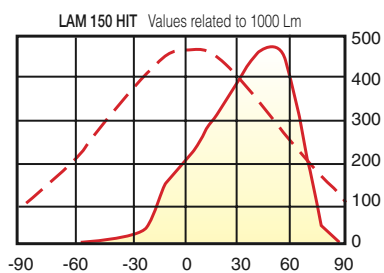
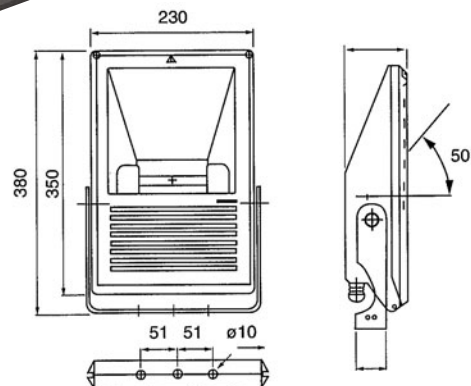


- For Metal Halide and Sodium double ended Lamps.
- Fully die-cast aluminium body in one piece with wide refrigerations flaps.
- Painted in epoxy powder coating, black, ivory and grey colours available.
- High bright aluminium reflector polished and oxidized.
- Tempered glass heat resistant fixed in an unlosable frame.
- Asymmetric beam.
- For Sodium: With same ballast and ignitor using Osram Lamp model NAV-TS 70/150 Super
- Extra Slim width of 90 mm.



LAM-70. 70 w. HIT-DE
LAM-70. 70 w. HIT-DE with lamp
LAM-150. 150 w. HIT-DE
LAM-150. 150 w. HIT-DE with lamp