

T-5 Suspended Low Luminance Luminaires



Suspended luminaire with Direct light distribution.

Recommended for spaces where a medium luminous intensity is needed, VDT, workspaces halls, etc.

LUMINAIRE HOUSING: Made of extruded aluminium with anticorrosive treatment according to Norm ENEC-10/VDE.

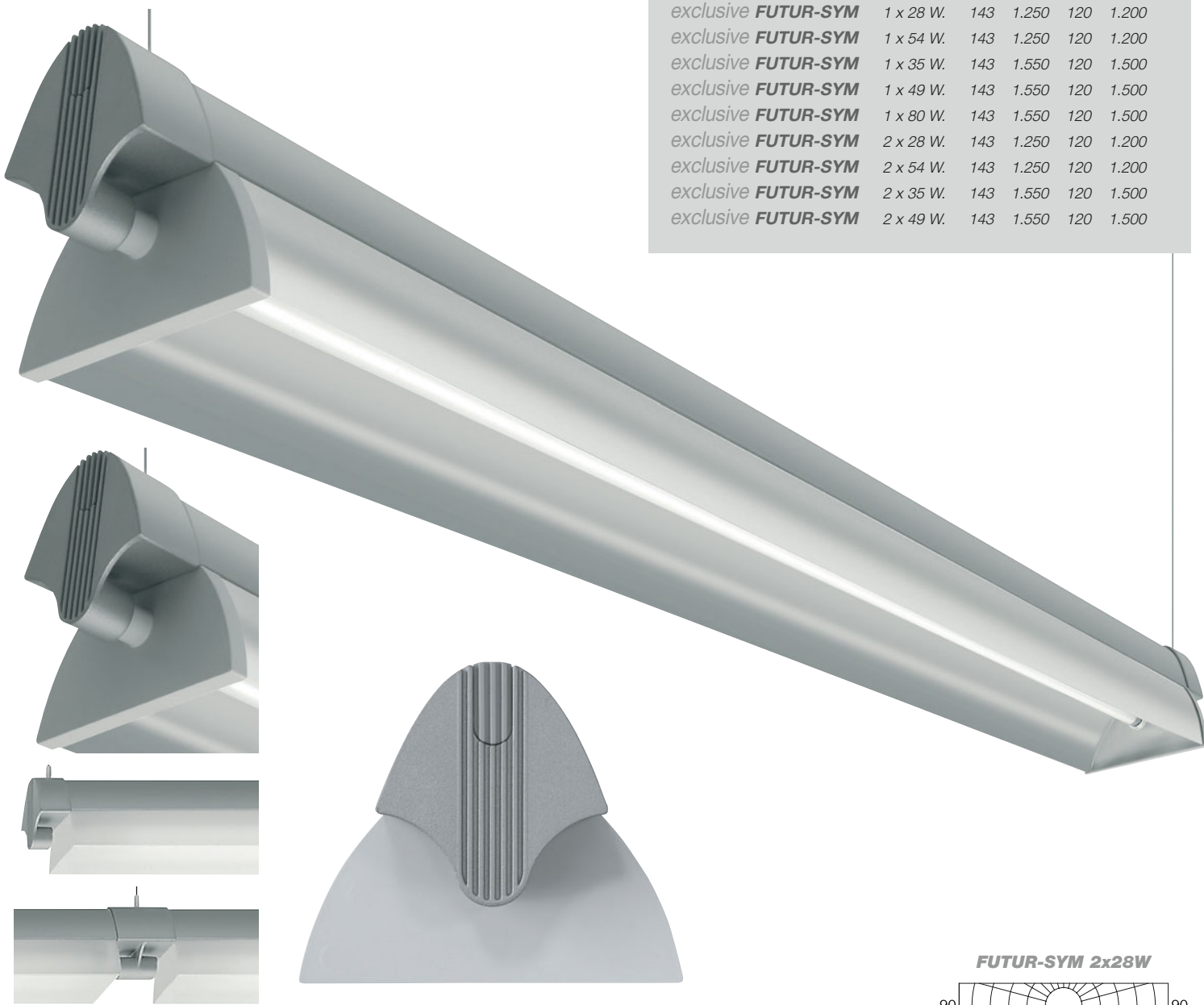
PAINTING: Surface treatment powder coating, painted in grey colour.

OPTIC: Aluminium Parabolic diffuser. Anodized, polished.

Direct light distribution. Symmetric beam.

SUSPENSION SYSTEM: In 1250 mm. cable length (included).

CONTINUOUS LINES: See page 30.



	W.	A1	L1	H1	Y
exclusive FUTUR-SYM	1 x 28 W.	143	1.250	120	1.200
exclusive FUTUR-SYM	1 x 54 W.	143	1.250	120	1.200
exclusive FUTUR-SYM	1 x 35 W.	143	1.550	120	1.500
exclusive FUTUR-SYM	1 x 49 W.	143	1.550	120	1.500
exclusive FUTUR-SYM	1 x 80 W.	143	1.550	120	1.500
exclusive FUTUR-SYM	2 x 28 W.	143	1.250	120	1.200
exclusive FUTUR-SYM	2 x 54 W.	143	1.250	120	1.200
exclusive FUTUR-SYM	2 x 35 W.	143	1.550	120	1.500
exclusive FUTUR-SYM	2 x 49 W.	143	1.550	120	1.500

